



BOSCH
Invented for life

LBC 3018/00 Metal Cabinet Loudspeaker



- ▶ Suitable for speech and music reproduction
- ▶ Robust metal enclosure
- ▶ Surface and/or recessed mounting
- ▶ Unobtrusive in virtually all interiors
- ▶ Recommended for voice evacuation systems
- ▶ Compliancy with international installation and safety regulations
- ▶ BS 5839-8 compliancy

The LBC 3018/00 cabinet loudspeaker delivers professional performance from a robust, yet aesthetically designed metal enclosure. It is an ideal loudspeaker for indoor use in offices, schools, car parking, shopping centers and in areas where vandalism is a potential hazard.

Functions

Voice alarm loudspeakers are specifically designed for use in buildings, where the performance of PA-systems is subject to official regulations. The LBC 3018/00 is designed for voice alarm systems, and is compliant with British Standard BS 5839-8.

The loudspeaker has built-in protection to ensure that, in the event of a fire, damage to the loudspeaker does not result in failure of the circuit to which it is connected. In this way, system integrity is maintained, ensuring loudspeakers in other areas can still be used to inform people of the situation. The loudspeaker has a ceramic terminal block, thermal fuse, and heat-resistant, high-temperature wiring.

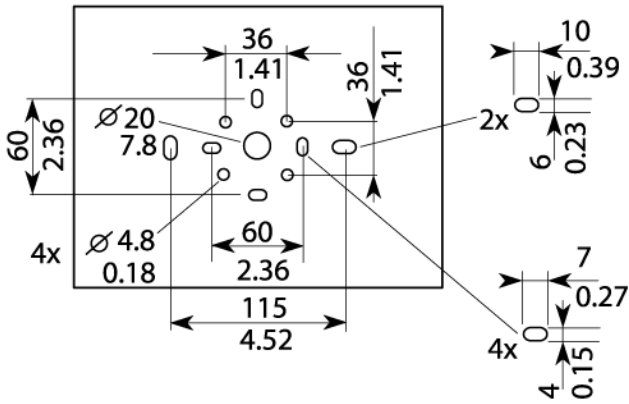
The cabinets are equipped with a high efficiency, dual-cone loudspeaker offering a wide frequency range suitable for both speech and music reproduction.

Certifications and Approvals

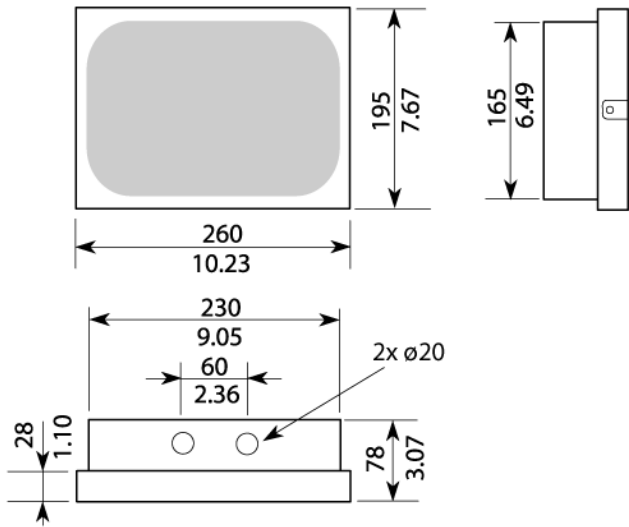
All Bosch loudspeakers are designed to withstand operating at their rated power for 100 hours in accordance with IEC 268-5 Power Handling Capacity (PHC) standards. Bosch has also developed the Simulated Acoustical Feedback Exposure (SAFE) test to demonstrate that they can withstand two times their rated power for short durations. This ensures extra reliability under extreme conditions, leading to higher customer satisfaction, longer operating life, and much less chance of failure or performance deterioration.

Safety	acc. to EN 60065
EVAC	acc. to BS 5839-8

Installation/Configuration Notes

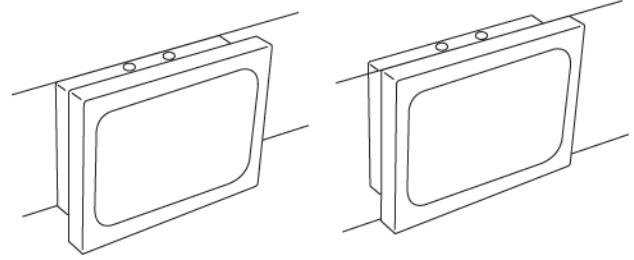


Mounting dimensions in mm (in)



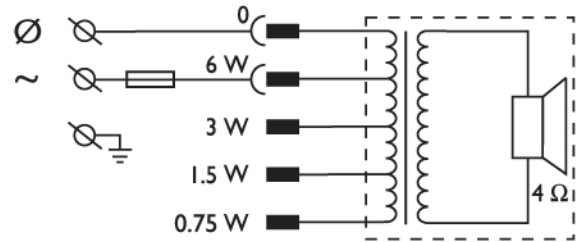
Dimensions in mm (in)

The cabinet is designed for both surface mounting on walls and recessed mounting into brick or concrete walls. The backbox of the cabinet provides a selection of mounting holes, even for mounting onto U40 and MK installation boxes. The backbox has two knockout holes on the topside for two cable glands for loop-through connection. For extra convenience, a safety cord from the backbox lets the installer temporarily hang the front grille unit during installation.

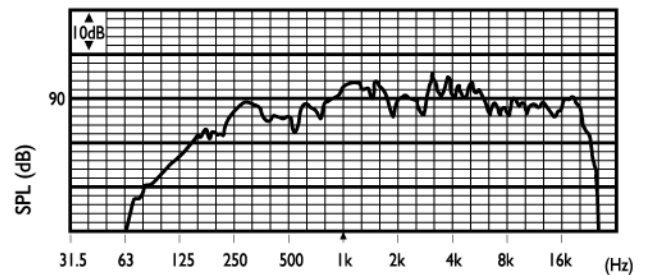


Surface mounted (left) and recessed (right) mounted

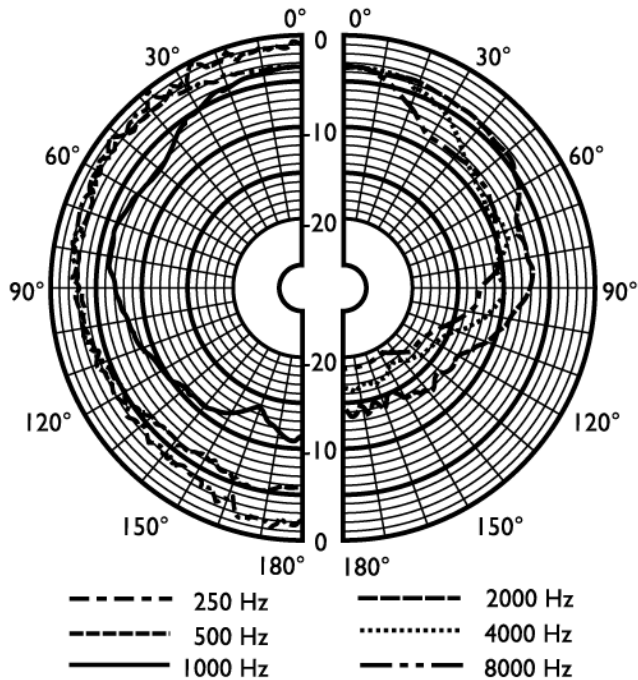
The cabinet has a three-way terminal block with screw connections suitable for loop-through wiring (including earth) Four primary taps are provided on the matching transformer to allow selection of nominal full-power, half-power, quarter-power or eighth power radiation (in 3 dB steps).



Circuit diagram



Frequency response



Polar diagram (measured with pink noise)

	250 Hz	500 Hz	1 kHz	2 kHz	4 kHz	8 kHz
SPL 1.1	84	93	94	97	97	93
SPL max.	92	101	102	105	105	103
Q-factor	2.5	3.3	7.9	8.5	12.9	14.2
Efficiency	0.32	2.2	4	7.1	5.6	2.5
H. angle	180	180	120	85	55	40
V. angle	180	180	80	110	60	35

Acoustical performance specified per octave

Technical Specifications

Electrical*

Maximum power	9 W
Rated power (PHC)	6 / 3 / 1.5 / 0.75 W
Sound pressure level at 6 W / 1 W (1 kHz, 1 m)	102 dB / 94 dB (SPL)
Effective frequency Range (-10 dB)	150 Hz to 20 kHz
Opening angle at 1 kHz / 4 kHz (-6 dB)	120 ° / 55 °
Rated voltage	100 V

Rated impedance	1667 ohm
Connector	3-pole screw

* Technical performance data acc. to IEC 60268-5

Mechanical

Dimensions (H x W x D)	195 x 260 x 80 mm (7.68 x 10.24 x 3.15 in)
Weight	2.6 kg (5.78 lb)
Color	White (RAL 9010)
Speaker size	152.4 mm (6 in)
Magnet weight	150 g (5.3 oz)

Environmental

Operating temperature	-25 °C to +55 °C (-13 °F to +131 °F)
Storage temperature	-40 °C to +70 °C (-40 °F to +158 °F)
Relative humidity	<95%

Ordering Information

LBC 3018/00 Metal Cabinet Loudspeaker

Europe, Middle East, Africa:
Bosch Security Systems B.V.
P.O. Box 80002
5600 JB Eindhoven, The Netherlands
Phone: +31 40 2577 284
Fax: +31 40 2577 330
emea.securitysystems@bosch.com
www.boschsecurity.com

Americas:
Bosch Security Systems, Inc.
130 Perinton Parkway
Fairport, New York, 14450, USA
Phone: +1 800 289 0096
Fax: +1 585 223 9180
security.sales@us.bosch.com
www.boschsecurity.us

Asia-Pacific:
Bosch Security Systems Pte Ltd
38C Jalan Pemimpin
Singapore 577180
Phone: +65 6319 3450
Fax: +65 6319 3499
apr.securitysystems@bosch.com
www.boschsecurity.com

Represented by